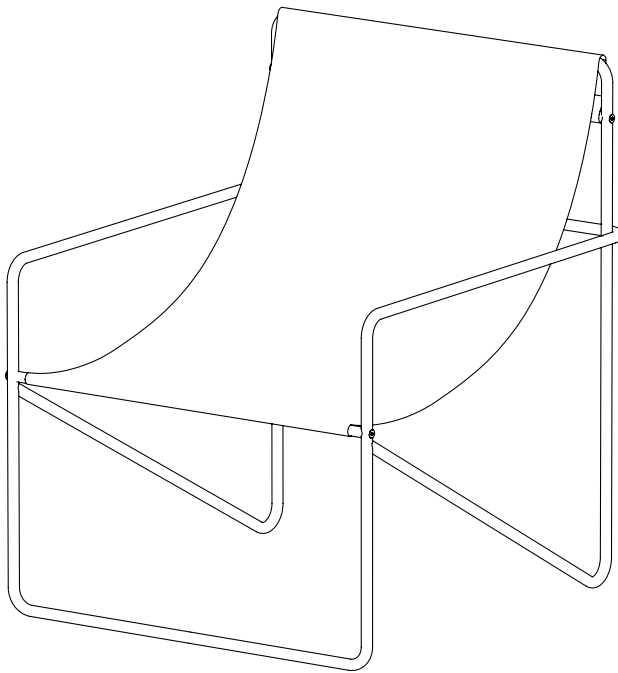


# Desert Lounge Chair

---

Assembly manual



ferm  
L I V I N G

# General Instructions

## PLEASE READ BEFORE INSTALLATION

### **WARNING:**

The safety of this product can only be guaranteed if the following instructions are observed during both installation and use. Please retain these instructions safely after installation.

### **CARE INSTRUCTION:**

- Wipe with a damp cloth. Make sure that the surface is kept clean and dry.

**This product is made of powder coated steel with anti-rust treatment**

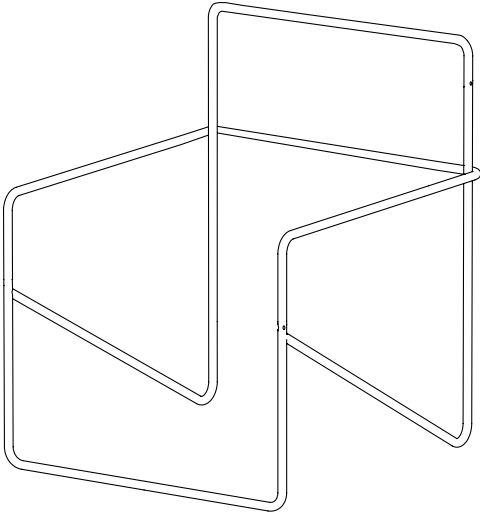
Metal that has been treated with an anti-rust powder coating is suitable for outdoor use.

However, do be aware that prolonged outdoor use and exposure to the elements will cause corrosion and rusting over time. We therefore advise you to store your products in a dry place during cold or wet weather – particularly if the temperature drops below freezing. Please note that if the powder coating is scratched or removed in places, rust will develop at a significantly faster pace in this area.

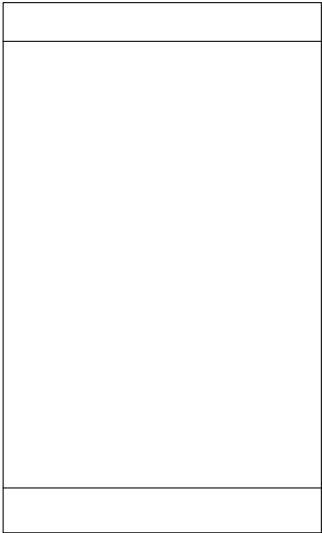
### **MORE INFORMATION:**

To access further information such as product overview and material descriptions, please visit our website at [www.fermliving.com](http://www.fermliving.com). If you have any questions or comments, please do not hesitate to contact us at [info@fermliving.com](mailto:info@fermliving.com).

# Box Content



1 x Frame



1 x Textile seat



1 x Short bar  
(for the back)



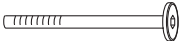
1 x Long bar  
(for the front)



1 x Hex Key



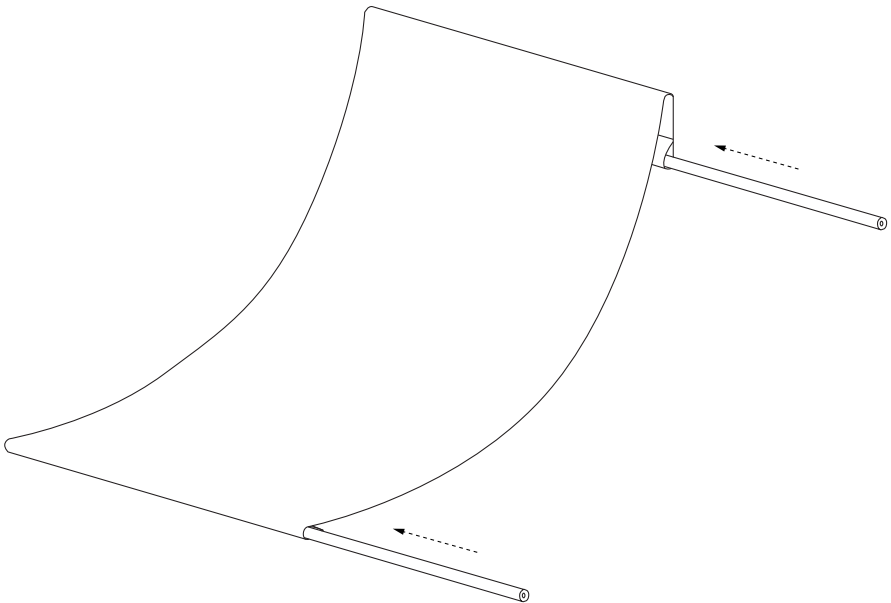
4 x Bushing



4 x Screw

# Assembly Process

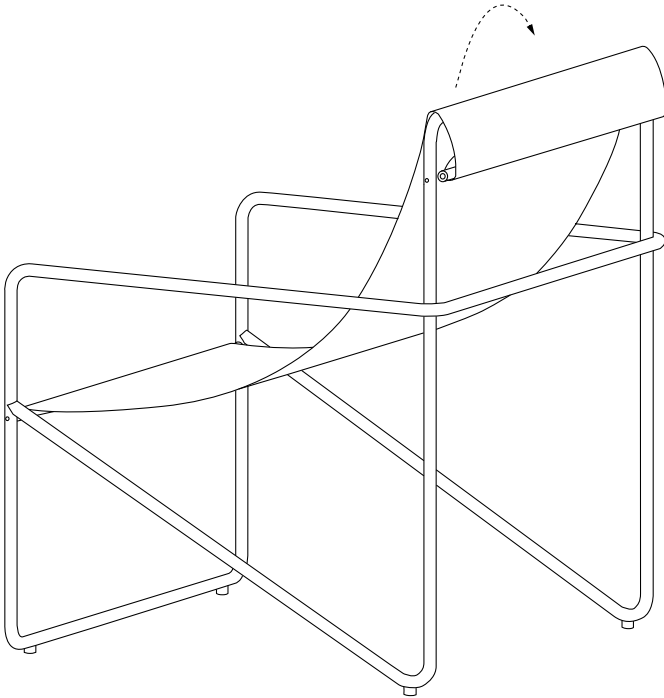
1



Insert the short bar at the top of the textile seat (the side where the care label is seen) and the long bar at the bottom of the textile seat.

# Assembly Process

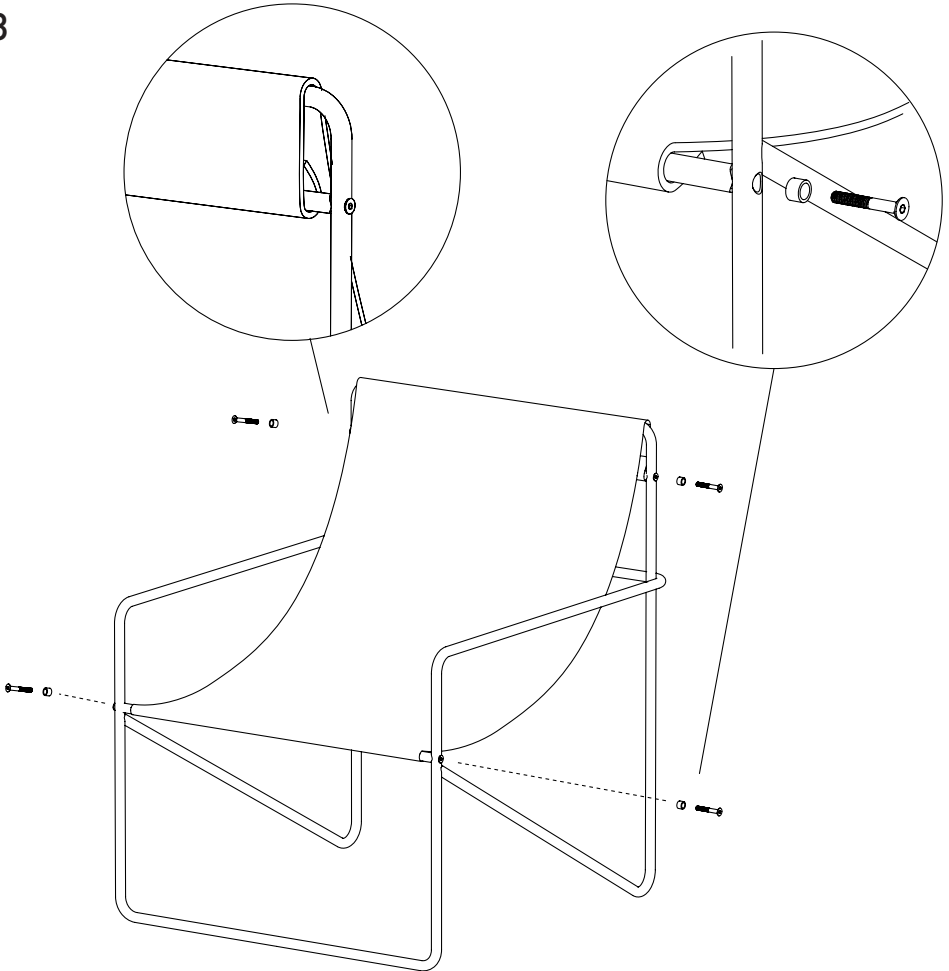
2



Place the textile seat on the frame.  
**Please make sure to flip the textile around the top.**

# Assembly Process

3



Fasten the bars with the four screws and bushing included.

[fermliving.com](http://fermliving.com)